

Total No. of Questions : 8]

[Total No. of Printed Pages : 3

Roll No

ME-4003-CBGS

B.E. IV Semester

Examination, December 2020

Choice Based Grading System (CBGS)

Machine Drawing and CAD

Time : Three Hours

Maximum Marks : 70

Note: i) Attempt any five questions.

ii) All questions are carry equal marks.

1.
 - a) Compare 2D and 3D wireframe modeling with respect to their utility for an engineering industry.
 - b) Explain the parametric representation of curves. Why its more used compared to non-parametric (implicit) representation?

2. Explain any five commands of the following:
 - a) Line and polyline
 - b) Circle
 - c) Hatching
 - d) Text
 - e) Dimensioning
 - f) Layers/levels
 - g) Colours

ME-4003-CBGS

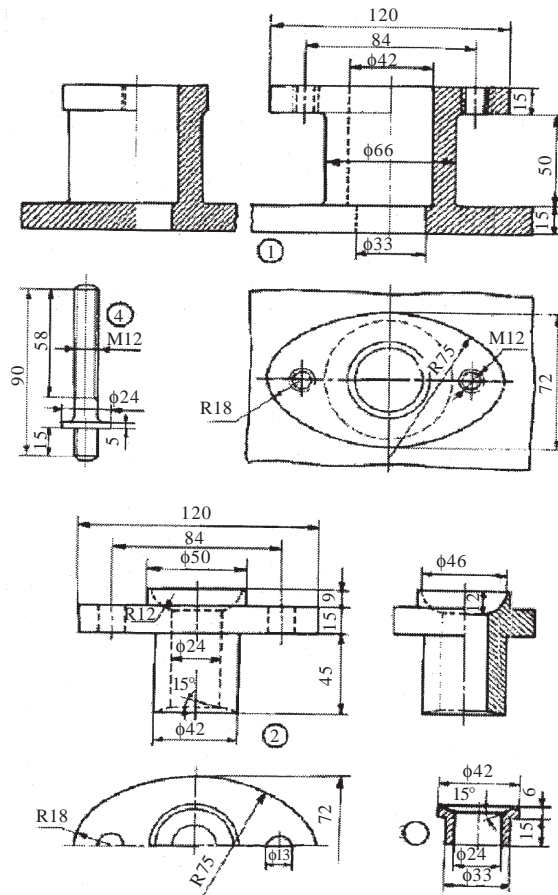
PTO

[2]

3. Assemble the parts of a Stuffing box, shown in figure-1 and draw
 - a) Half sectional view from the front, showing top half in section and
 - b) The view from the left
4.
 - a) What do you mean by Snap and Grid? Describe their use.
 - b) What is the purpose of OFFSET command? Draw a figure to show its use.
5.
 - a) How do you create a New layer, set a layer as current and delete a layer?
 - b) Differentiate between Pan, move and 200m. How do you pan a drawing?
6.
 - a) Explain the use of EXTRUDE, SWEEP, REVOLVE and LOFT commands.
 - b) Describe the use of WEDGE, CYLINDER, PYRAMID commands.
7. Write short notes on any two
 - a) Knuckle joint
 - b) Advantages of CAD
 - c) 3D models
8. Write short note on (any two)
 - i) Sectioning and section view
 - ii) Representation of welded joints
 - iii) Basic concepts of assembly drawing
 - iv) Different types of threaded fasteners

[3]

For Question No. 3



Parts list

Part No.	Name	Matl.	Qty.
1	Body	CI	1
2	Gland	Brass	1
3	Bush	Brass	1
4	Stud	MS	2
5	Nut M12	MS	2

Figure-1

ME-4003-CBGS